



Made for more



GWM Ute

GO WITH MORE

GWM Ute. Made for more.

Contents	Page 1
Introduction	Page 2
Design	Page 6
Performance	Page 10
Technology	Page 16
Safety	Page 18
Colour	Page 22
Dimensions	Page 24
Specifications	Page 26



Say hello to GWM.

GWM is a world-renowned vehicle manufacturer capable of designing and producing SUVs, utes and powertrains simultaneously. At GWM, everything we do is grounded in our corporate philosophy: ‘improving little by little every day.’ From building world-class research and development systems, which enable continuous innovation, to following the ‘excessive investment’ principle, which drives industry leadership, we relentlessly put our philosophy into practice. With nearly 8 million sales to date, in more than 170 countries (and counting), we are the No. 1 SUV brand in the world’s largest market and have been for the past 9 years. Our brand vision is to pioneer global mobility solutions, which use innovative technology to deliver a more pleasurable driving experience. Through innovation and global collaboration, we continue to improve our vehicles’ reliability, safety, performance, design and technology.

Tough never looked so good.

The GWM Ute doesn't just look confident.
It also has the strength and capability to match.





Don't be fooled by its rugged exterior, the GWM Ute is as comfortable as they come. Experience a smooth ride, even over rough terrain, thanks to the independent front suspension combined with heavy duty rear leaf suspension for outstanding load-carrying.

Discover the thrill of driving in the refined, European designed cabin, with best-in-class legroom and all the features you need.



**Rugged
on the
outside.
Luxurious
inside.**



Integrated tailgate step ladder



Signature chrome grille

Powered by performance.



Powered by a responsive 2.0 litre turbo diesel engine delivering 120kW and 400Nm, the GWM Ute is a capable partner for just about anything.

When mated to the ZF 8-speed automatic transmission, the driving experience is nothing short of impressive whether carrying a light load or towing the boat or caravan.

The advanced 4x4 system engineered by respected global supplier Borg Warner provides the driver with superior technology including a rear differential lock* and 4WD low range to tackle tough off-road environments with ease.

*4x4 variants only

Powered by a responsive 2.0 litre turbo diesel engine delivering 120kW and 400Nm.





All the tech you need.

Staying connected has never been easier with Apple CarPlay® and Android Auto™ standard across the GWM Ute range and displayed on a crystal clear 9 inch colour touchscreen for infotainment on demand.

There's also the added benefit of a dedicated Dash Cam USB Port, Keyless Entry and Push button Start. The GWM Ute truly is one of the most advanced and convenient utes available today.



Born tough. Built smart.



TESTED
2021 ★ ★ ★ ★ ★

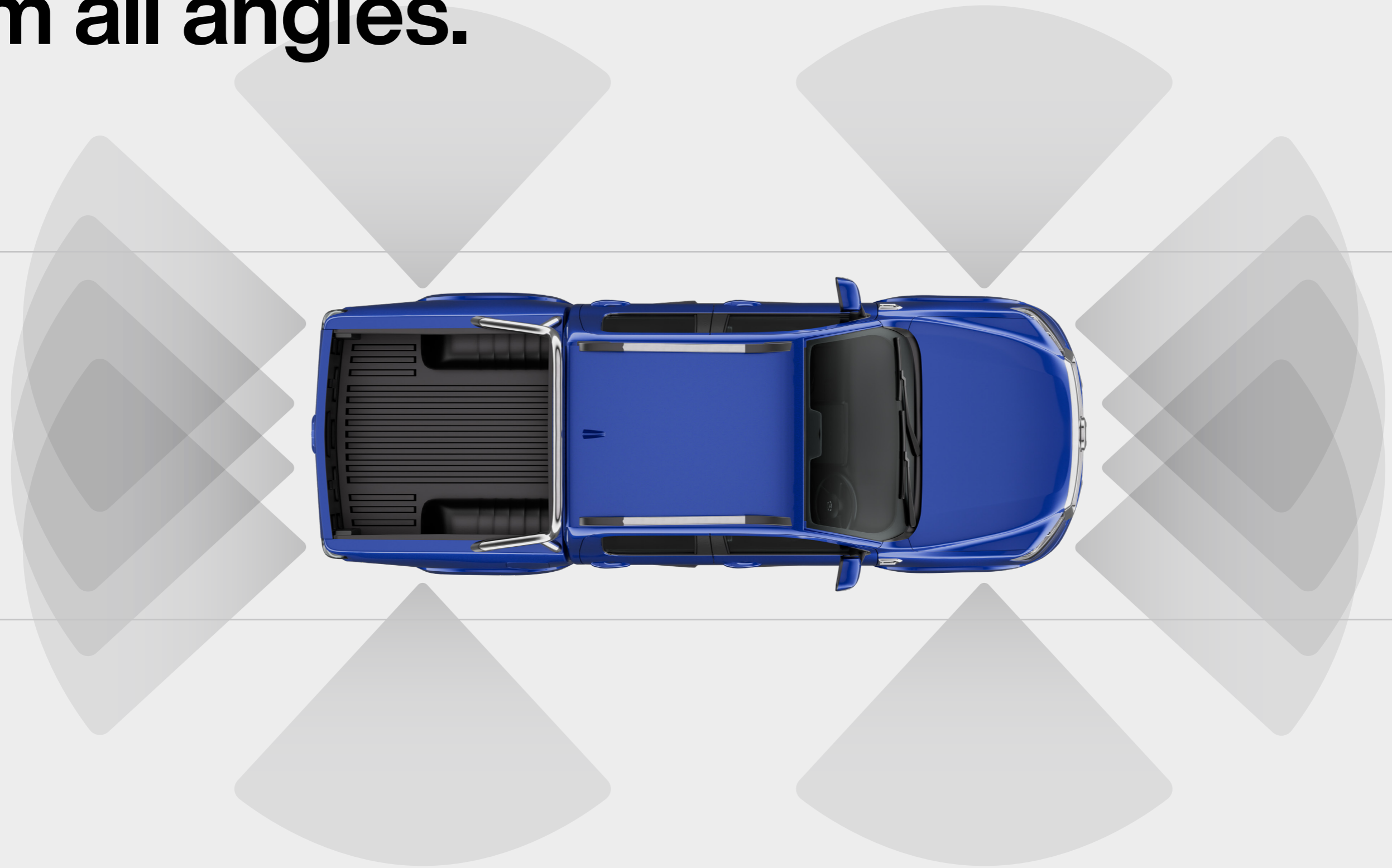


ANCAP Safety test

The GWM Ute was born to tackle the toughest jobs but it was also built smart with a full suite of comprehensive safety systems designed to protect occupants and other road users.

Having achieved the highest possible 5 star safety rating by ANCAP in 2021, the GWM Ute comes with a number of advanced safety features including Autonomous Emergency Braking (AEB), Lane Keep Assist and Adaptive Cruise Control. Whether at work or play, you can be sure that GWM is looking out for you.

Protection from all angles.



Smart tech, active and passive safety features and front and side monitoring mean worry-free travel.

GWM Care

GWM Care Every GWM comes with GWM Care. It begins from the moment you take delivery of your vehicle and continues long into the future. Wherever the road leads, you can rest assured knowing that your GWM will be kept at its best for many years to come.



7 Year
Unlimited
Warranty

5 Year
Roadside
Assist

GWM vehicles are available in a range of stunning contemporary colours.



Pearl White

Crystal Black

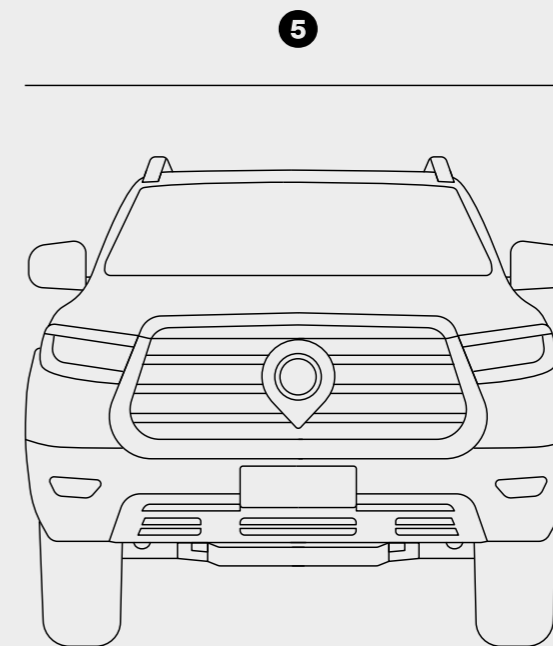
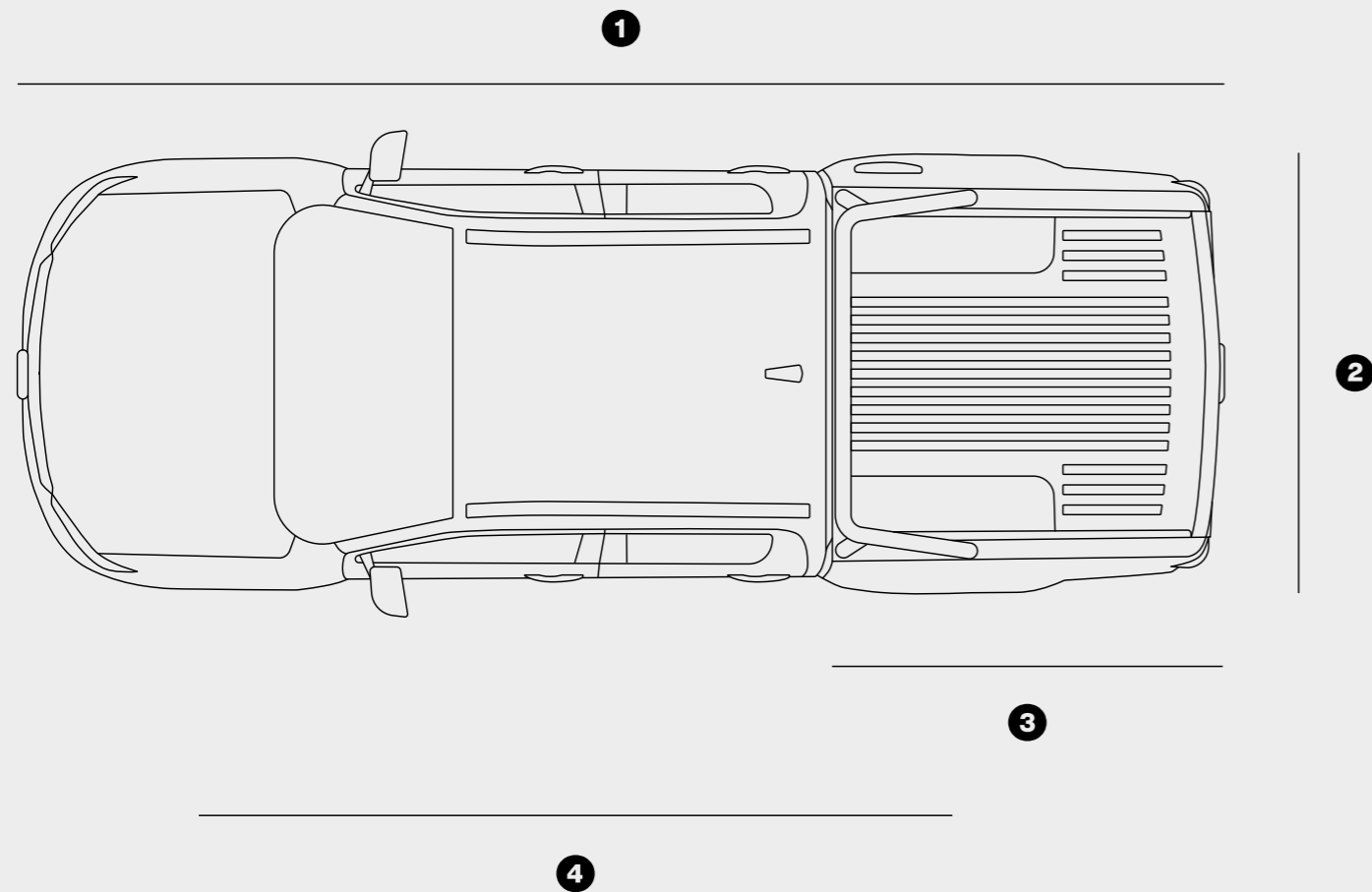
Scarlet Red

Sapphire Blue

Pittsburgh Silver

Colour.

- ① Length: 5410mm
- ② Height: 1886mm
- ③ Wheelbase: 3230mm
- ④ Tray: 1520x1520mm
- ⑤ Width: 1934mm



Dimensions.

		Cannon-L 4x2	Cannon-L 4x4
Dimensions	Length/Width/Height (mm)	5410 x 1934 x 1886	5410 x 1934 x 1886
	Wheelbase (mm)	3230	3230
Engine	2.0L Turbo Diesel	●	●
	Displacement (cm ³)	1996	1996
	Max power (kW@rpm)	120 @ 3600	120 @ 3600
	Max torque (Nm@rpm)	400 @ 1500 - 2500	400 @ 1500 - 2500
	Bore x stroke (mm)	83.1 x 92	83.1 x 92
	Compression ratio	16.2:1	16.2:1
	Fuel economy (L/100km) combined ²	8.4	9.4
	Recommended fuel octane rating	Diesel	Diesel
Transmission	ZF 8-Speed Automatic	●	●
	Driveline	4X2	4X4
	Gear ratios	1st 5.000:1, 2nd 3.200:1, 3rd 2.143:1, 4th 1.720:1, 5th 1.314:1, 6th 1.000:1, 7th 0.822:1, 8th 0.640:1, Reverse 3.456:1	1st 5.000:1, 2nd 3.200:1, 3rd 2.143:1, 4th 1.720:1, 5th 1.314:1, 6th 1.000:1, 7th 0.822:1, 8th 0.640:1, Reverse 3.456:1
Wheels	Size	8" Luxury Alloy Wheel	18" Luxury Alloy Wheel
	Spare wheel	Spare Tyre 265/60 R18	Spare Tyre 265/60 R18
Brakes	Front and rear	Front: Ventilated disc brake / Rear: Ventilated disc brake	
	Electronic park brake	●	●
Steering	Steering type and system	Electric / Rack & Pinion	
	Turning circle - kerb to kerb (m)	13.1	13.1
Suspension	Suspension	Front: Double Wishbone / Rear: Leaf Spring	
Weights & capacities	Towing capacity - with trailer brakes (kg)	3,000	3,000
	Towing capacity - without trailer brakes (kg)	750	750
	Maximum downball weight (kg)	300	300
	Maximum payload (kg)	1,050	1,050
	Kerb weight (kg)	2,100	2,100
	GVM (kg)	3,150	3,150
	GCM (kg)	5,555	5,555
	Fuel tank capacity (L)	78	78
Chassis & steering	Electric Power Assist Steering	●	●
	Power Assist Steering Modes (Comfort, Normal, Sport)		
	Driving Modes (Standard, Economy, Sport, 4L)	●	●
	Hydraulic engine mount	●	●
Exterior	Chrome Plating Front Grill	●	●
	Front Bumper (Body Colour)	●	●
	Rear Bumper (Body Colour)	●	●
	Electroplated Exterior Door Mirror	●	●
	Electroplated Door Handle	●	●
	Fender Arch (Body Colour)	●	●
	Side Steps	●	●
	Sports Bar (Stainless Steel)	●	●

Specifications.

		Cannon-L 4x2	Cannon-L 4x4
Exterior Continued	Shark Fin Antenna	●	●
	Rear Recovery Point	●	●
	Easy up & down tail gate	●	●
	Cargo Ladder	●	●
	Special Anti-Rust Protection	●	●
	Engine Cover	●	●
Interior	Black Interior - Standard	●	●
	Black Interior - Luxury		
	Polyester Steering Wheel	●	●
	Microfibre Faux Leather Steering Wheel	●	●
	2-way Adjustable Steering Column (up & down)	●	●
	4-way Adjustable Steering Column		
	Paddle Shifter	●	●
	Electronic Gear Shift	●	●
	3.5 Inch Colour Instrument Cluster +Light Adjustable	●	●
	7 inch Colour Instrument Cluster		
	USB Port for Dash Cam	●	●
	12V Power Outlet	●	●
	Front USB Port (2) + Rear USB charging Port (1)	●	●
	220V Power Outlet	●	●
	Wireless Charging		
	Sunglass holder	●	●
Seats	Comfort-Tek Accented Faux Leather	●	●
	Faux Leather Accented Seat		
	Heated Front Seats	●	●
	6-way manual adjustable driver's seat		
	6-way power adjustable driver's seat	●	●
	4-way manual adjustable passenger seat	●	●
	4-way power adjustable passenger seat		
	Second row 60:40 split seats		
Rear row armrest			
Middle headrest second row	●	●	
Entertainment	Bluetooth Hands-free communication	●	●
	Radio AM/FM	●	●
	9" Touch LCD Screen	●	●
	Apple Carplay+ Android Auto	●	●
	6 Speakers	●	●
Security	1 Smart Key + 1 ordinary key	●	●
	2 Smart Keys		
	Engine Immobilizer	●	●
	Remote Central Lock & Automatic Locking Function	●	●
	Privacy Glass	●	●
	Front & Rear Electric Windows	●	●
	Driver Window + One Touch Up & Down + Anti-Pinch	●	●
	Four Window + One Touch U & Down + Anti-Pinch		

		Cannon-L 4x2	Cannon-L 4x4
Security Continued	Power Adjustable Door Mirrors + Electric Folding + Indicator	●	●
	Anti-Glare Rearview Mirror - Automatic	●	●
	Hot Line Defroster- Rear Window	●	●
	Sun Visor With Mirror - Passenger Side	●	●
Safety	Keyless Entry + Push-Button Start	●	●
	Dynamic Steering Torque System (DST)	●	●
	Electronic Stability Program (ESP)	●	●
	Traction Control System (TCS)	●	●
	Collision Automatic Unlock Function & Fuel Cut Function	●	●
	Hill-Start Assist Control & Hill Descent Control	●	●
	Forward Collision Warning (FCW) + AEB (Pedestrian)	●	●
	Rear Cross Traffic Alert (RCTA)	●	●
	Lane Departure Warning + Lane Keeping Assist	●	●
	Lane Change Assist	●	●
	Door Open Warning	●	●
	Adaptive Cruise Control	●	●
	Traffic Sign Recognition System + Overspeed Warning	●	●
	Tyre Pressure Monitoring System	●	●
	Front Sensor - 2	●	●
	Rear Sensor - 2	●	●
	360 Around View Camera	●	●
	Dual Front, Side, & Curtain Airbags	●	●
	Front Centre Airbag	●	●
	Seatbelt Unfasten Warning System - All seats	●	●
	Rear Seat Belt With Pre-Tensioner / Load Limiter + Three-Point Rear Central Seat Belt	●	●
	Children Seats ISOFIX Device + 2 Rear Anchor Points	●	●
	Rear Door Child Safety Lock	●	●
	Speed Sensing Central Door Lock (15 km/h)	●	●
	Rear Differential lock		●
	Speed Warning (Warning Speed Manual Set)	●	●
	Triangular Warning Sign	●	●

Specifications.

		Cannon-L 4x2	Cannon-L 4x4
Lighting	LED Headlights (High & Low Beam)	●	●
	Automatic Headlights	●	●
	Electric Height Adjustment Headlights	●	●
	LED Indicator lamp-Waterflow style	●	●
	Headlight With Follow Me Home Function	●	●
	Front fog lamp with steering automatic lighting	●	●
	Daytime Running Lights	●	●
	Rear Fog Lights	●	●
	LED Tail Light	●	●
	High Position Brake Lights-LED	●	●
	Ceiling Light	●	●
Air Conditioning	Automatic A/C	●	●
	Rear A/C Vents	●	●
	A/C With Pollen Filter	●	●





For more information visit gwmnz.com/nz

GWM New Zealand reserve the right to alter vehicle specifications and equipment levels without notice. Some equipment featured on vehicles in this brochure may not be available or may be optional. To the extent permitted by law, GWM New Zealand shall not be liable to any person as a result of reliance on the content of the brochure. Always check with your local GWM Dealer for the latest product specifications.

Information in this brochure is current as at 10/05/2023.

Edition Code: GWMNZ 10-05-2023.

Copyright © GWMNZ . All rights reserved.